

Radio control model
R/C Flugmodell

**INSTRUCTION MANUAL
MONTAGEANLEITUNG**

FLY BABY

Designed for brushless electric motors (.46-.52 class glow conversion optional)

Entwickelt für Brushless Elektro Motoren (7,5 -8,5cc Glühzündermotor Einbau möglich)



SPECIFICATIONS

Wingspan	63.7in.
Length	43.9 in.
Electric Motor	(See next page)
Glow Engine	.46 2Stroke / .52 4-Stroke
Radio	4 Channel / 4 -5 Servos

TECHNISCHE DATEN

Spannweite	1620mm
Länge	1115mm
Elektroantrieb	(siehe nächste Seite)
Verbrennerantrieb	7.5cc 2-T / 8.5cc 4-T
Fernsteuerung	4 Kanal / 4 -5 Servos

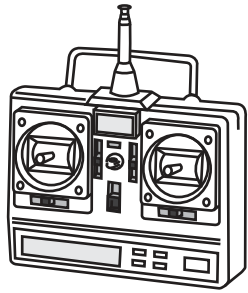


WARNING! This radio controlled model is NOT a toy. If modified or flown carelessly it could go out of control and cause serious human injury or property damage. Before flying your airplane, ensure the air field is spacious enough. Always fly it outdoors in safe areas and seek professional advice if you are unexperienced.

ACHTUNG! Dieses ferngesteuerte Modell ist KEIN Spielzeug! Es ist für fortgeschrittene Modellflugpiloten bestimmt, die ausreichende Erfahrung im Umgang mit derartigen Modellen besitzen. Bei unsachgemäßer Verwendung kann hoher Personen- und/oder Sachschaden entstehen. Fragen Sie in einem Modellbauverein in Ihrer Nähe um professionelle Unterstützung, wenn Sie Hilfe im Bau und Betrieb benötigen. Der Zusammenbau dieses Modells ist durch die vielen Abbildungen selbsterklärend und ist für fortgeschrittene, erfahrene Modellbauer bestimmt.

RECOMMENDED ACCESSORIES (Purchase separately)

Empfohlenes Zubehör (Nicht im Lieferumfang enthalten)



4 - channel radio
4 - Kanal
Fernsteuerung

Antrieb Standard:

BOOST 40 Brushless Combo Set, Best.Nr. C2983
LiPo Battery RED POWER 3200-3S, Best.Nr. C3164
Luftschraube 12*6, Best.Nr. C1937

Antrieb Tuning (Kraftvoller Kunstflug):

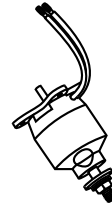
BOOST 60 Brushless Combo Set, Best.Nr. C3174
LiPO Akku RED POWER 4250-5S, Best.Nr. C4547
Luftschraube 13*8, Best.Nr. C2846



Ergänzungskit Verbrenner
(Tank + Motorträger)
Best.Nr. C4165

1 x Servo S4020
(für Seitenruder)
Best.Nr. C1687

3 x Servo S4020
(für Höhen- und Querruder)
Best.Nr. C4995



Cyanoacrylate Glue
Sekundenkleber

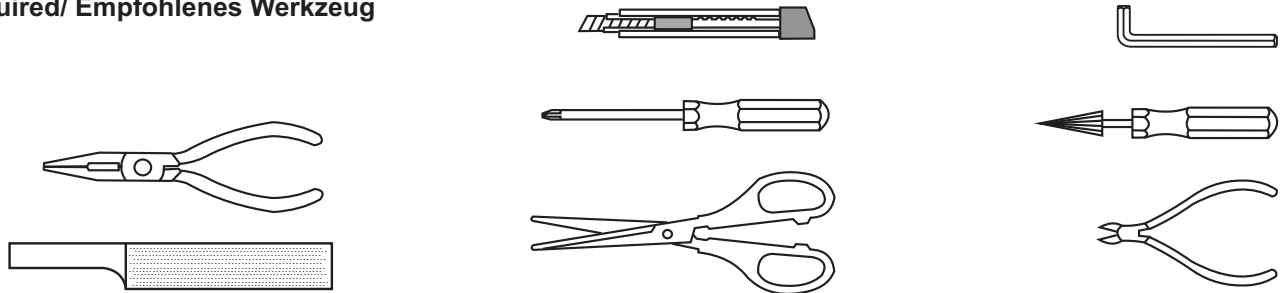


Silicon Glue
Silikonkleber



Epoxy Glue (30 minutes type)
Epoxy-Klebstoff (30min)


Tool Required/ Empfohlenes Werkzeug





The pre-covered film on ARF kit may wrinkle due to variations of temperature.
Store model in a cool and dry place for awhile.
Then, starting with low heat, you may carefully use a hair dryer to smooth out wrinkles.


Die Bespannung des Modells kann durch Temperatureinflüsse erschlaffen oder Falten werfen z.B. bei zu starker Sonnenstrahlung oder Hitze.
Stellen Sie das Modell zunächst an einen kühlen Platz für eine bestimmte Zeit. Danach können Sie versuchen die restlichen Falten vorstichtig mit einem Haartrockner zu behandeln.





 1.5mm
Drill holes using the stated size of drill (in this case 1.5 mm Ø)


 Take particular care here


 Hatched-in areas: remove covering film carefully

 Check during assembly that these parts move freely, without binding


 Use epoxy glue

 Apply cyano glue


 Assemble left and right sides the same way.

 Not included. These parts must be purchased separately

 1.5mm
Löcher bohren mit dem angegebenen Bohrer (hier 1,5 mm)


 Hier besonders aufpassen

 Schraffierte Stellen, Bespannfolie vorsichtig entfernen

 Während des Zusammenbaus immer prüfen, ob sich die Teile auch reibungslos bewegen lassen

 Epoxy-Klebstoff verwenden

 Sekundenkleber auftragen

 Linke und rechte Seite wird gleichermaßen zusammengebaut

 Nicht enthalten. Teile müssen separat gekauft werden.

CONVERSION TABLE

1.0mm = 3/64"	3.0mm = 1/8"	10mm = 13/32"	25mm = 1"
1.5mm = 1/16"	4.0mm = 5/32"	12mm = 15/32"	30mm = 1-3/16"
2.0mm = 5/64"	5.0mm = 13/64"	15mm = 19/32"	45mm = 1-51/64"
2.5mm = 3/32"	6.0mm = 15/64"	20mm = 51/64"	

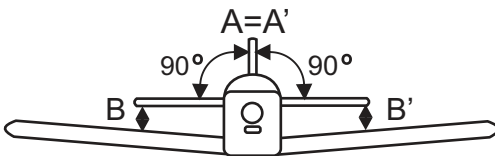
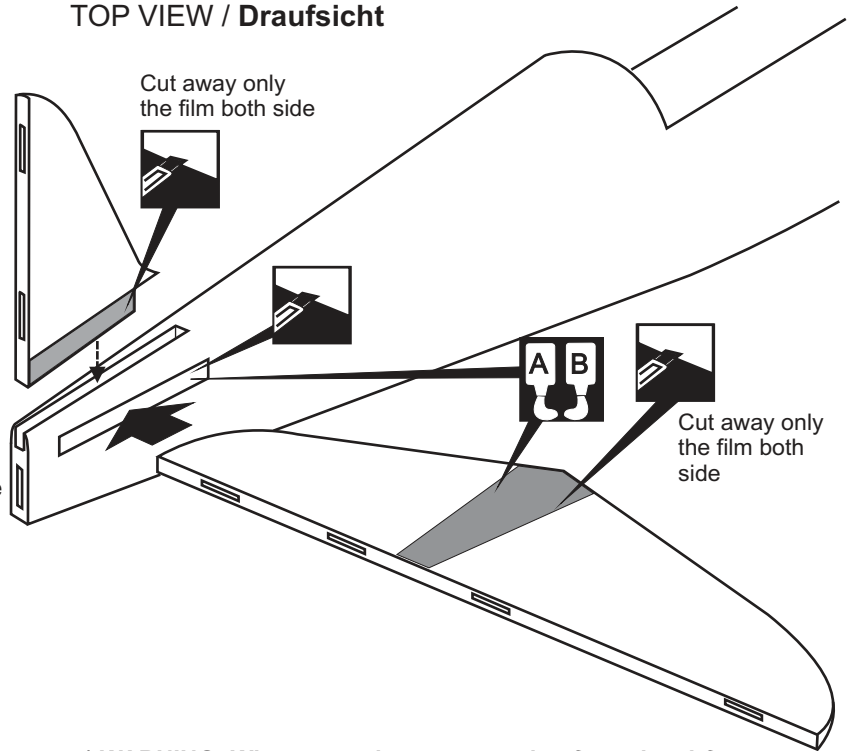
1

TOP VIEW / Draufsicht

1-Trial fit the horizontal stabilizer in place . Check the alignment of the horizontal stabilizer. When you are satisfied with the alignment, use a pencil to trace around the top and bottom of the stabilizer where it meets the fuselage.
2-Remove the horizontal stabilizer from the fuselage. Using the sharp hobby knife, carefully cut away the covering inside the lines which were marked above, **do not cut the balsa**.
3-Spread epoxy (30 minute) onto the top and bottom of the horizontal stabilizer along the area where the covering was removed and to the fuselage where the horizontal stabilizer mounts.

4-Install the horizontal stabilizer into the fuselage and adjust the alignment as described in step 1. Allow the epoxy to cure before proceeding to next step.

Do the same way with the vertical stabilizer.



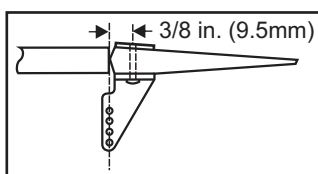
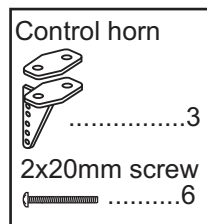
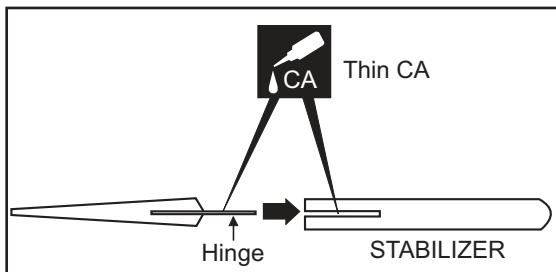
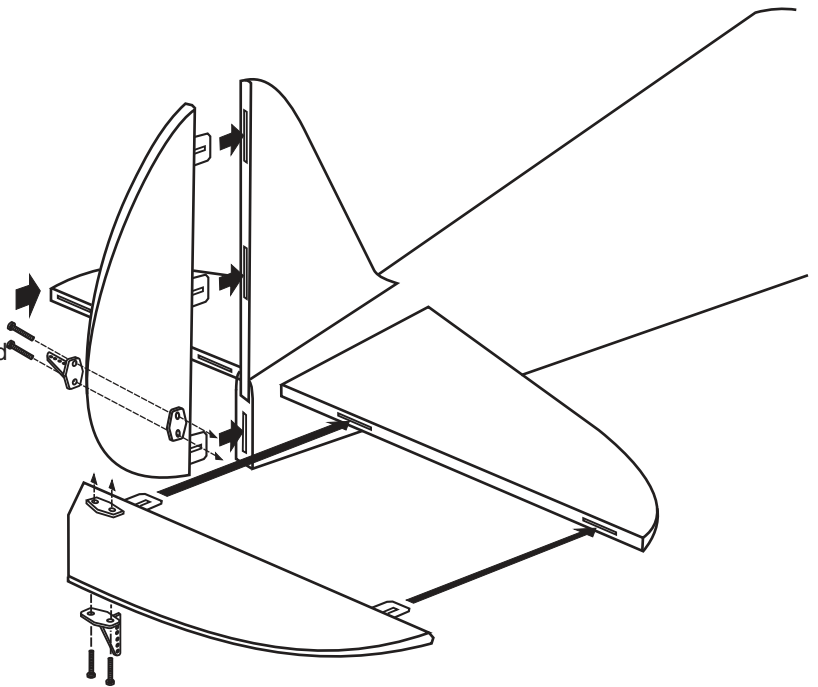
*** WARNING:** When removing any covering from the airframe, please ensure that you secure the cut edge with CA or similar cement. This will ensure the covering remain tight.

! Securely glue together If coming off during fly, you lose control of your air plane.

5-Push the elevator and its hinges into the hinge slots in the trailing edge of the horizontal stabilizer. There should be a minimal hinge gap.

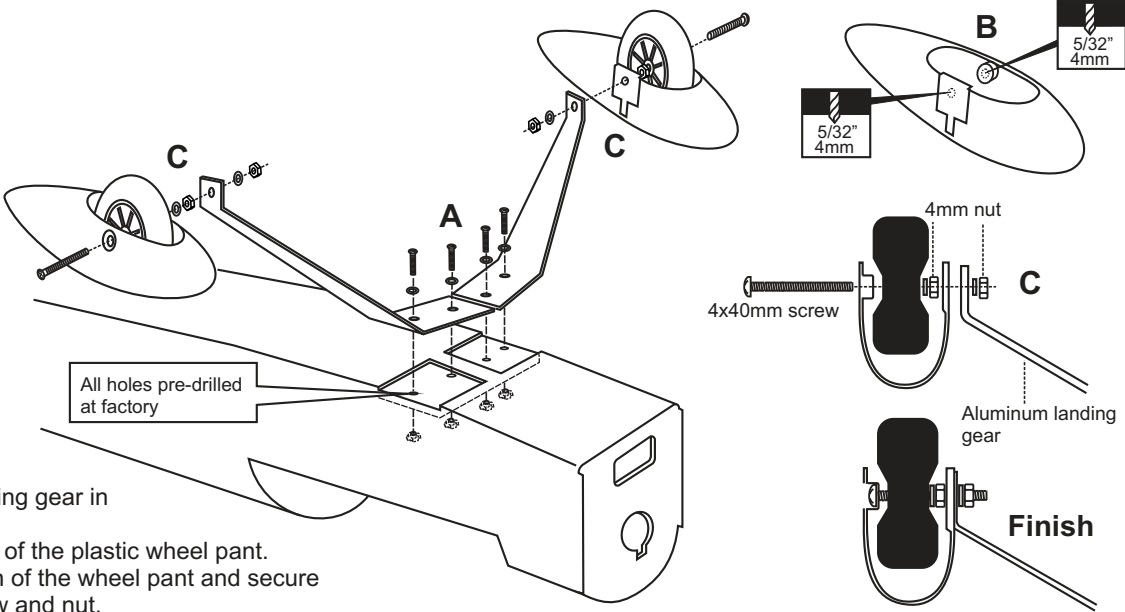
6-When satisfied with the and alignment, hinge the elevator to the horizontal stabilizer using thin CA glue. Make sure to apply a thin layer of CA glue to the top and bottom of both hinges and to inside the hinge slots.

7-Repeat the previous procedures to hinge the second elevator to the other side of the horizontal stabilizer. Do the same way with the rudder.



2

- 4x15mm screw4
- 4x40mm screw2
- 4mm Washer4
- 4mm Nut4

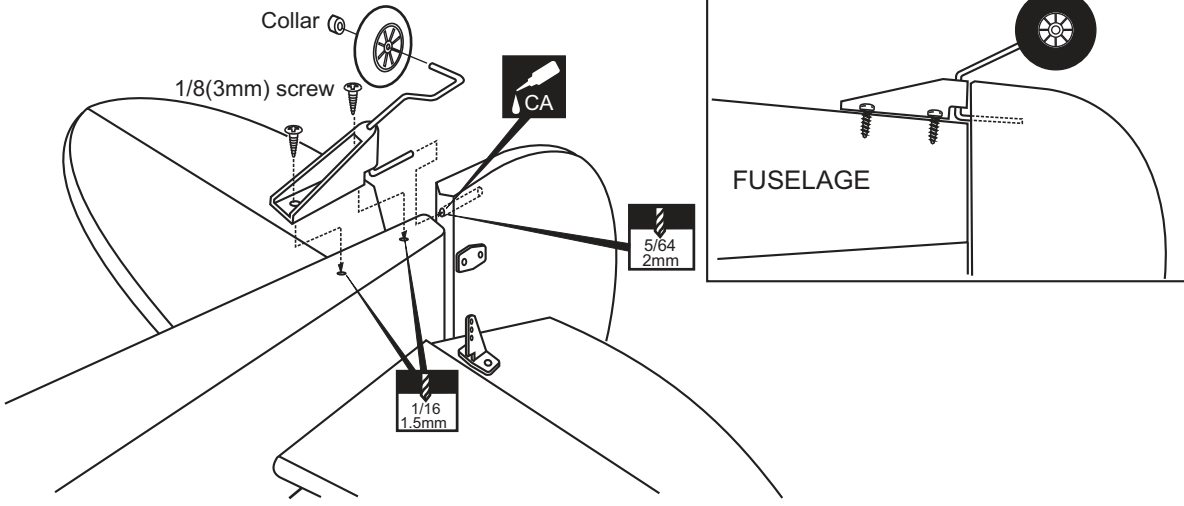


A-Locate the aluminum landing gear in the bottom of the fuselage.
 B-Drill the hole on each side of the plastic wheel part.
 C-Slide one wheel onto each of the wheel part and secure them with the 4x40mm screw and nut.

3

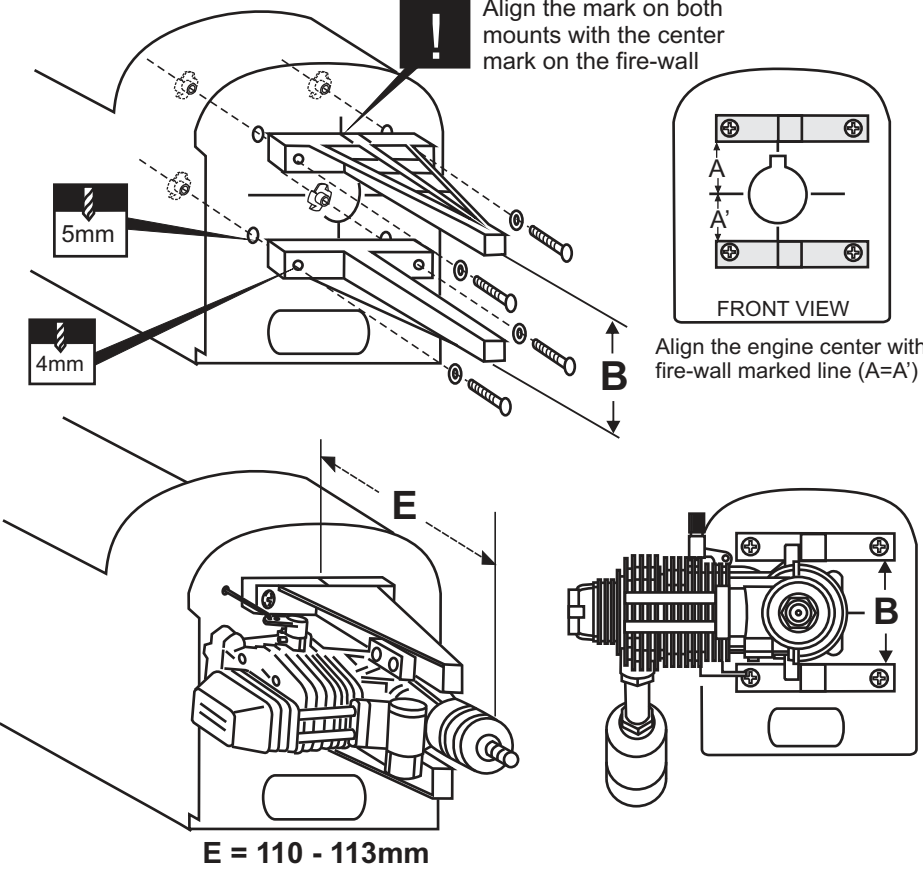
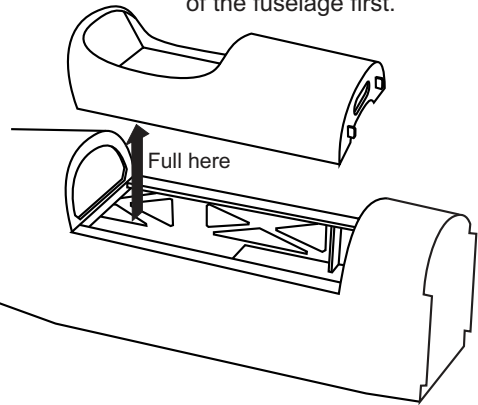
BOTTOM - VIEW / Unteransicht

- Plastic tail gear mount1
- 3x10mm screw2
- 2mm collar1



4

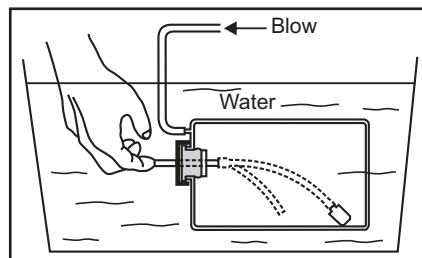
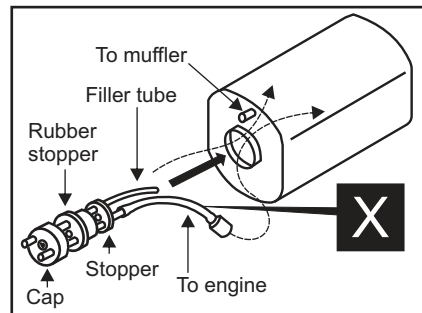
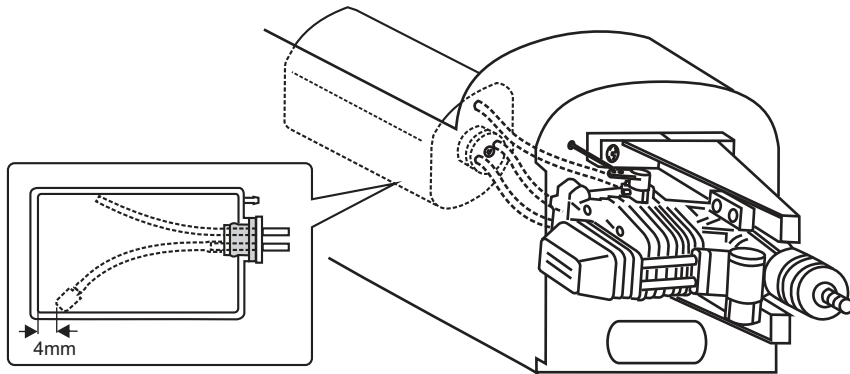
Full the magnetic cockpit out of the fuselage first.



- 3x20mm screw4
- 3mm nut4
- 3mm washer4
- 4x30mm screw4
- 4mm Blind-nut4
- 4mm washer4

E = 110 - 113mm

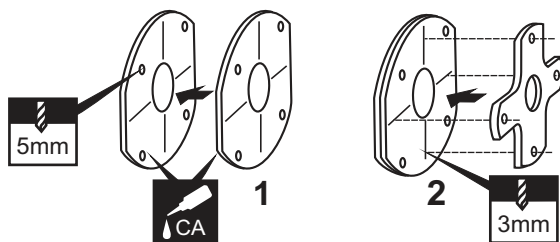
5



Checking for leaks - block the vents and blow into the feed - if in doubt submersing the tank in a blow of water will show up any problems. ▶

6

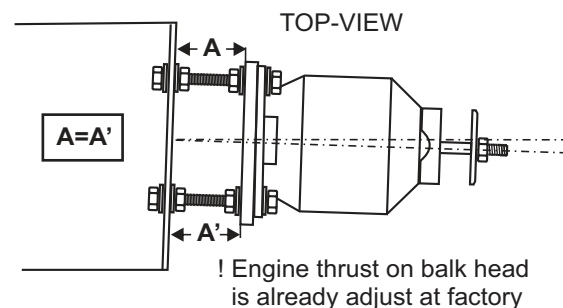
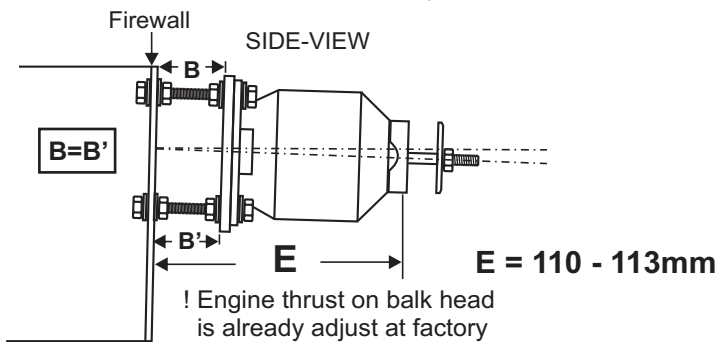
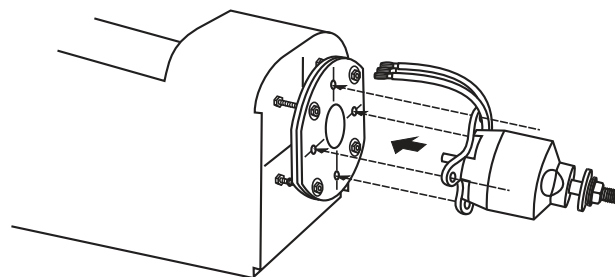
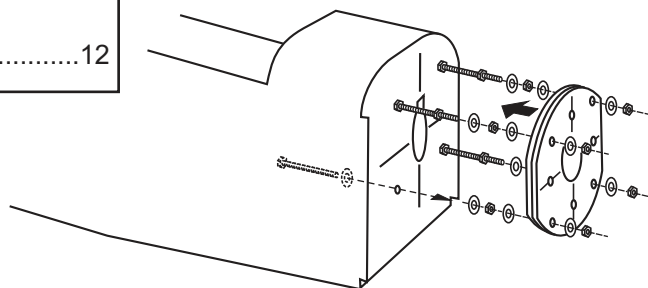
- 5x70mm screw ... 4
- 5mm Washer ... 16
- 5mm Nut ... 12



Using a aluminum motor mounting plate as a template, mark the plywood motor mounting plate where the four holes are to be drilled (2).

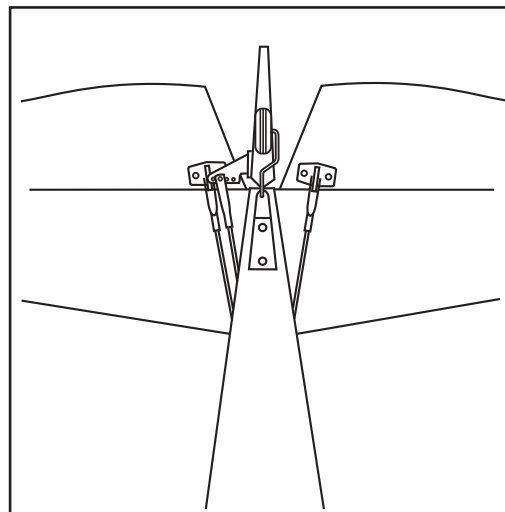
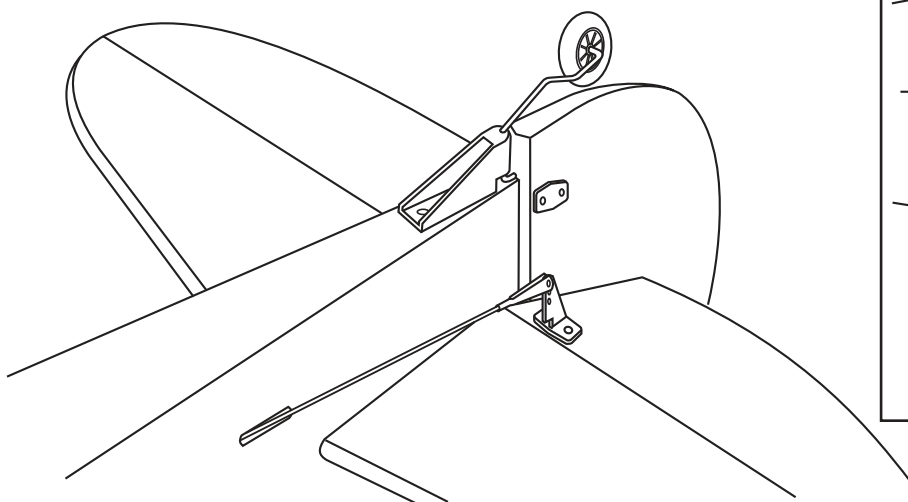
Remove the aluminum motor mounting plate and drill a 1/8" (3mm) hole through the plywood at each of the four marks marked .

Note: The aluminum motor mounting included with electric motor set.

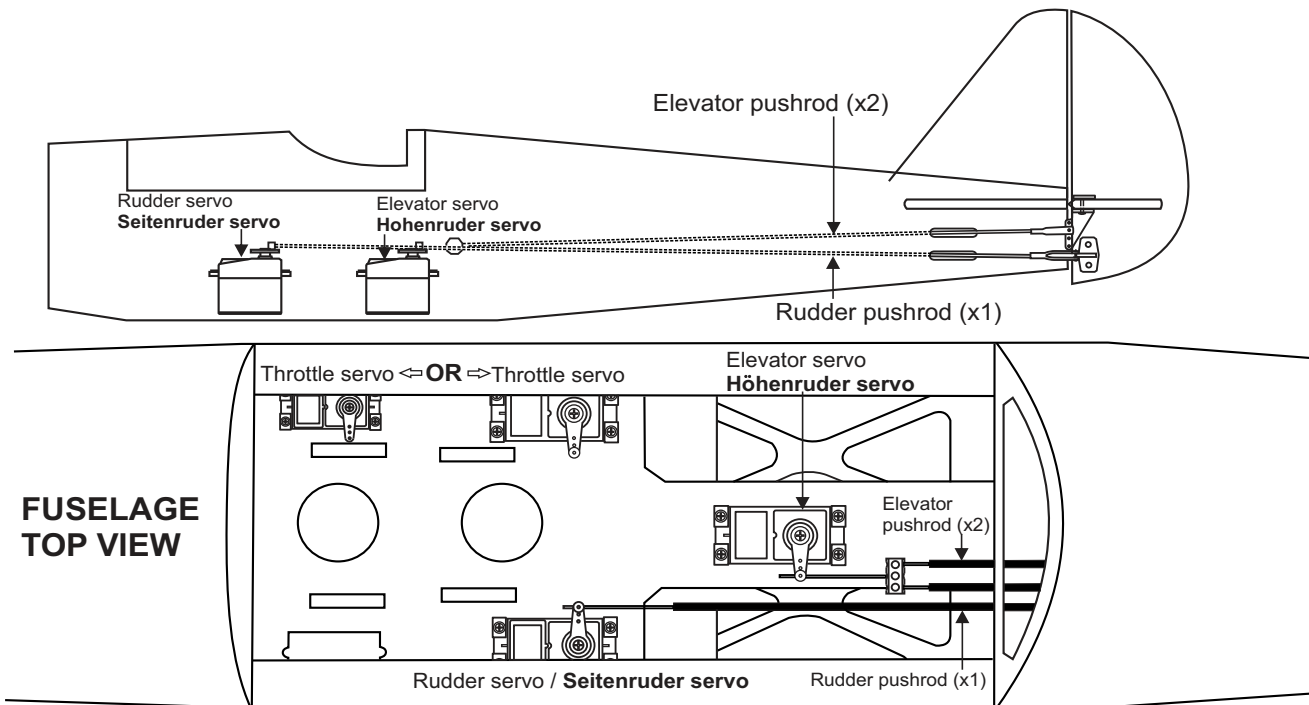


7

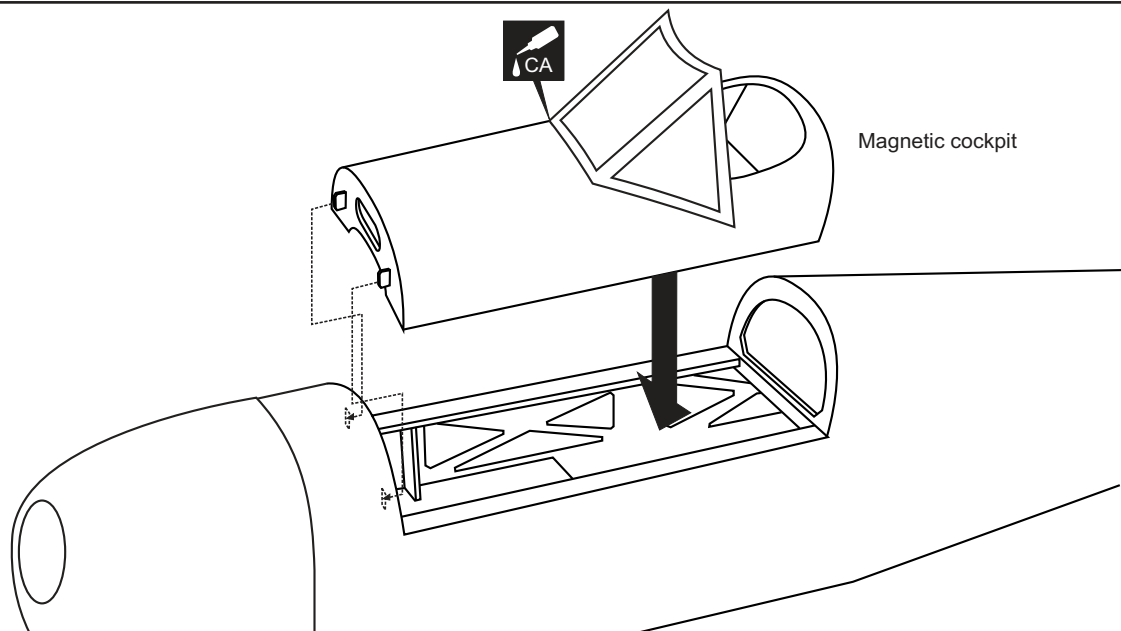
BOTTOM - VIEW / Unteransicht



8

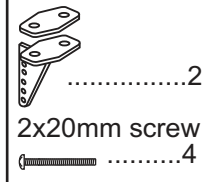


9

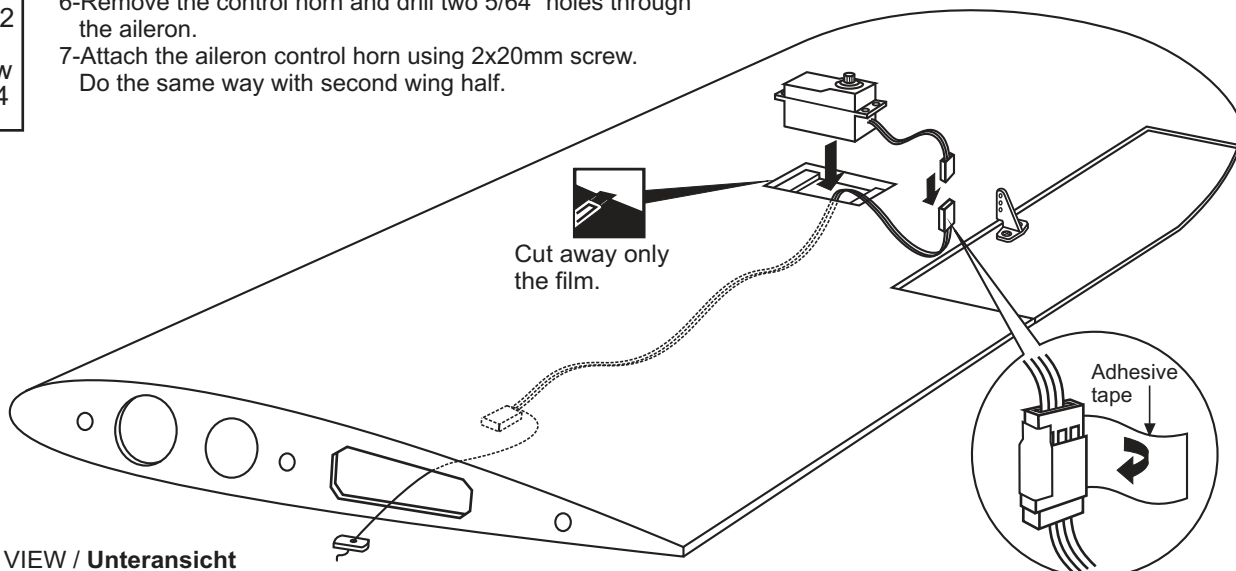


10

Control horn

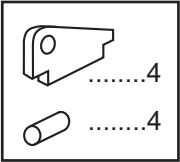


- 1-Connect the 30cm extension (not include) to the aileron servo and secure with the adhesive tape.
- 2-Using the thread (pre-installed at factory), full the extension out of the wing as shown.
- 3-Attach the aileron servo into the wing.
- 4-Depending on the position of the linkage, determine the location of the aileron control horn.
The horn holes must be perfectly aligned with the axis of articulation.
- 5-Mark the position of the "foot" of the horn on the aileron.
- 6-Remove the control horn and drill two 5/64" holes through the aileron.
- 7-Attach the aileron control horn using 2x20mm screw.
Do the same way with second wing half.



11

TOP VIEW / Draufsicht



The holes are Pre-cut at factory



Thin CA

Thin CA

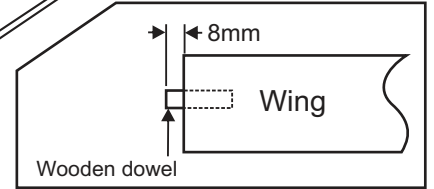


Thin CA

6mm wooden dowel

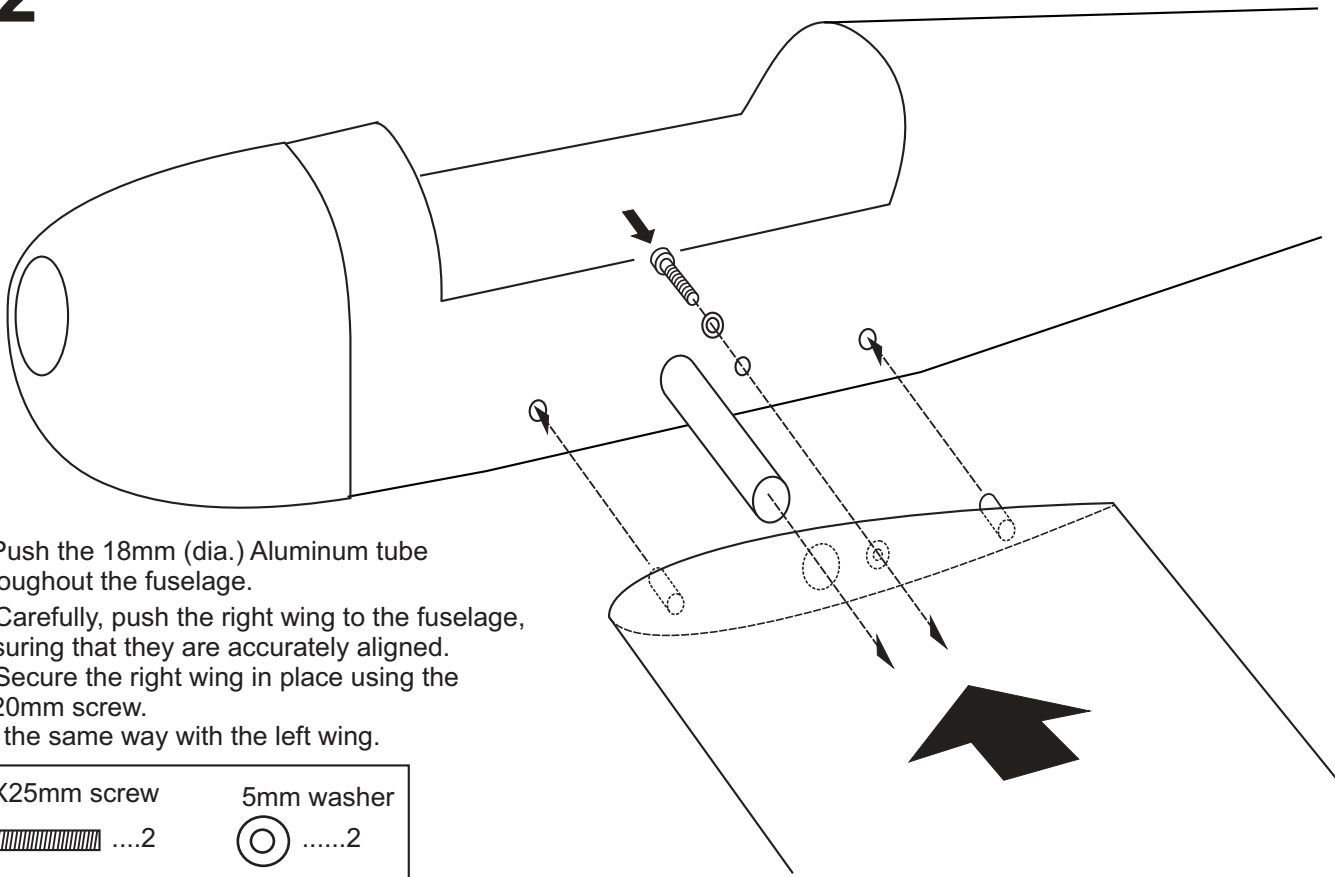


6mm wooden dowel



Do the same way with second wing half.

12



- 1- Push the 18mm (dia.) Aluminum tube throughout the fuselage.
 - 2- Carefully, push the right wing to the fuselage, ensuring that they are accurately aligned.
 - 3- Secure the right wing in place using the 5x20mm screw.
- Do the same way with the left wing.

5X25mm screw

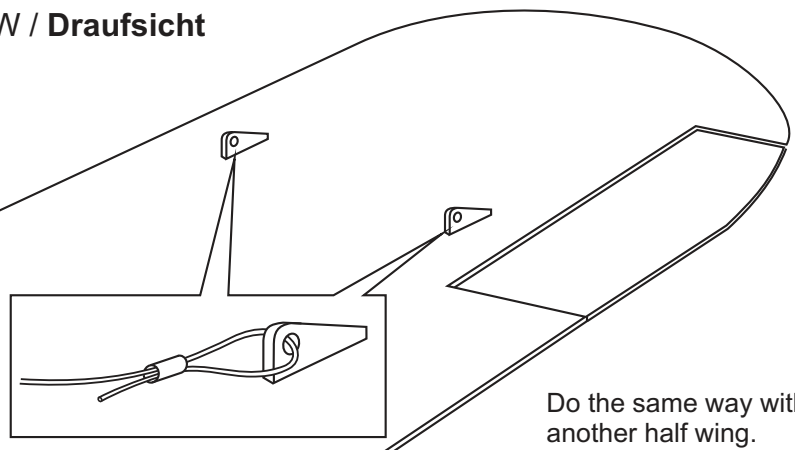
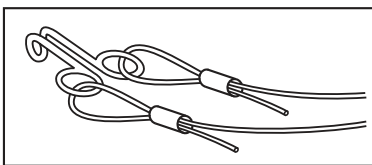


5mm washer



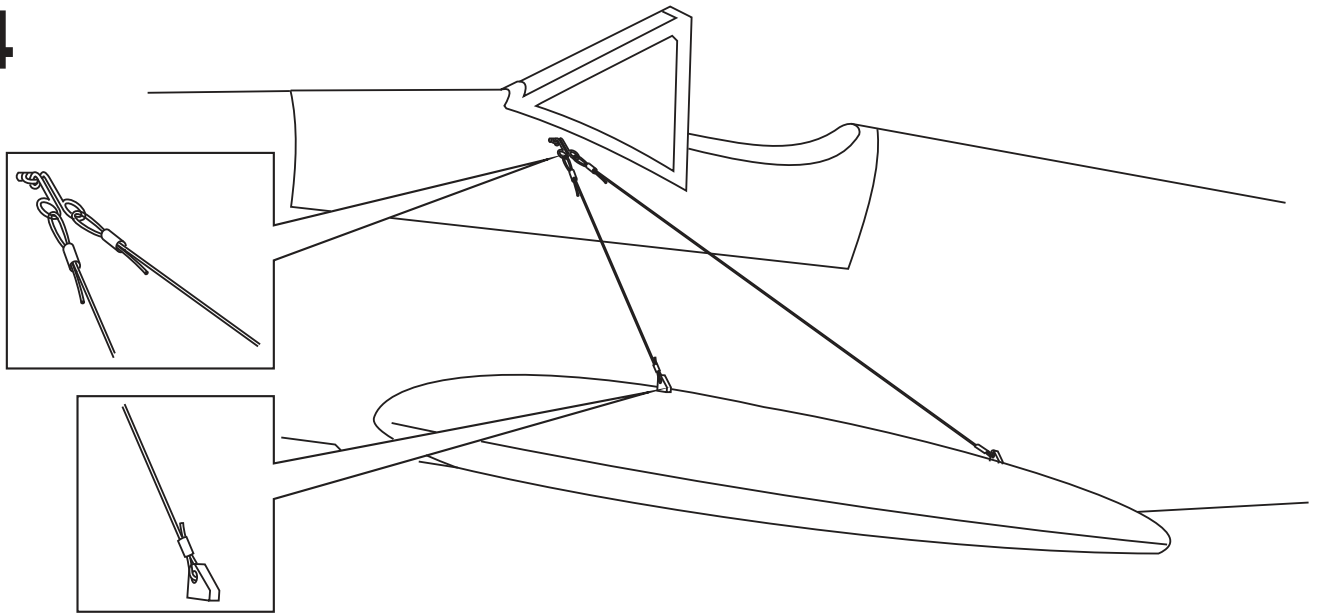
13

TOP VIEW / Draufsicht

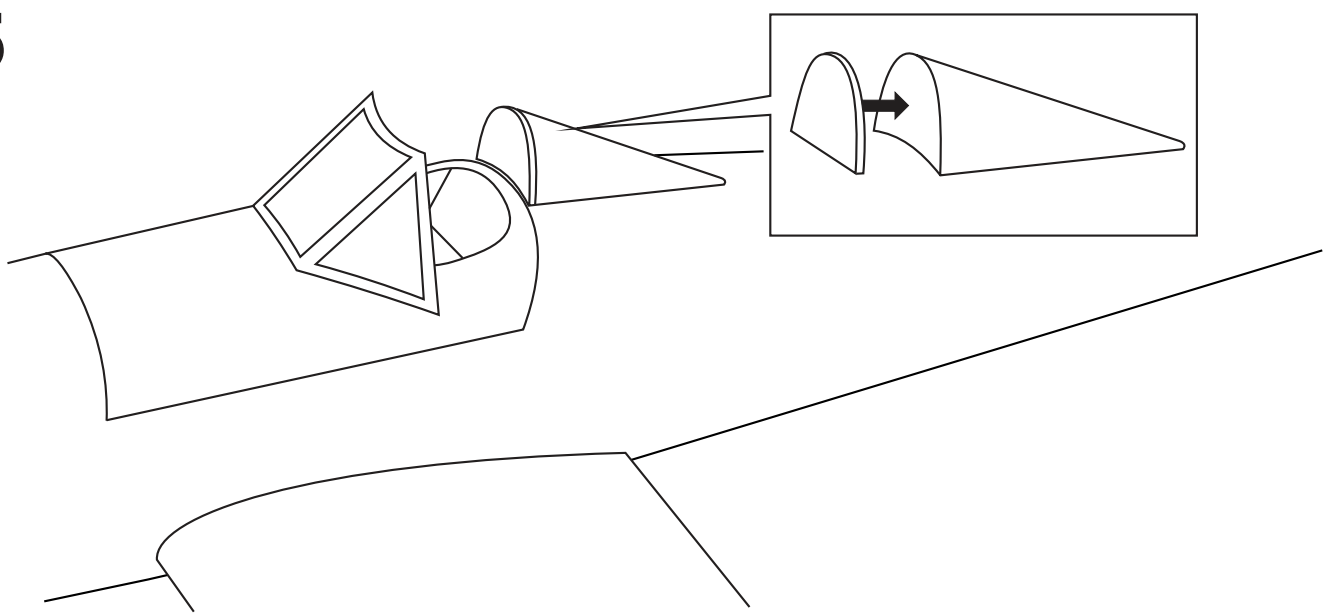


Do the same way with another half wing.

14

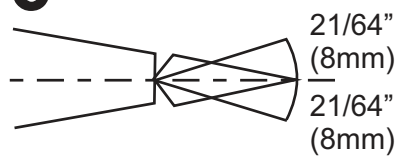


15

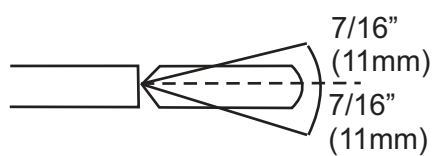


16

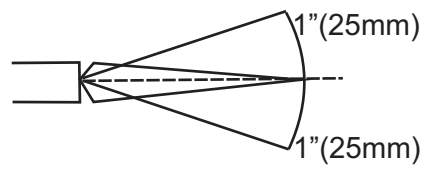
Control surface / Ruderausschläge



AILERON STROKE
Querruderausschlag



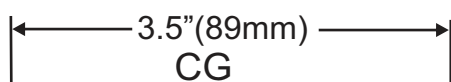
ELEVATOR STROKE
Höhenruderausschlag



RUDDER STROKE
Seitenruderausschlag

17

Balance / Schwerpunkt



CG



Wing center section

WARNING ! Securely install the receiver and power pack, ensuring they will not come loose or rattle during flight.

Never fly before checking the Cg's required position.

Überprüfen Sie vor dem Flug den Schwerpunkt.

In order to obtain the CG specified, reposition the receiver and power pack

IMPORTANT: Please do not clean your model with pure alcohol, only use liquid soap with water or use glass-cleaner to clean on surface of your model to keep the colour not fade.